

目录 Contents

1、特点 Features.....	1
2、应用 Applications.....	1
3、性能 Performance	2
4、产品代码 Product Order Code	3
5、分档规则 Bin Regulations	4
6、光电特性图 The Photoelectric Characteristics Graph	7
7、产品及钢网尺寸 Product and PCB Pad Dimensions.....	8
8、回流焊特性 Reflow Soldering Characteristics	9
9、卷轴 Reel Dimensions.....	10
10、可靠性 Reliability.....	11
11、注意事项 Cautions	错误!未定义书签。

1、特点 Features



Red

Green

Blue

Amber

- ◆ 陶瓷封装, 高亮度, 高光效
Ceramic Substrate package , High brightness ,High efficiency
- ◆ 尺寸: 3.5mm*3.5mm
Size: 3.5mm*3.5mm
- ◆ 适于 SMT 贴片
Compatible with SMT
- ◆ 发光角度: 120°
Viewing Angle: 120°
- ◆ 包装: 最大 1000 颗/卷
Package: Max: 1000pcs /reel

2、应用 Applications

景观照明 Landscape lighting

舞台照明 Stage lighting



3、性能 Performance

a) 绝对最大额定值 Absolute Maximum Ratings

参数 Parameter	符号 Symbol	最大参数值 Maximum Rating	单位 Unit
电流 Forward Current	I_F	1000	mA
工作温度 Operating Temperature	T_{opr}	-40~105	°C
存储温度 Storage Temperature	T_{stg}	-40~125	°C
ESD Classification(HBM)	-	8000	V
结温 Junction Temperature	T_j	125	°C

b) 光电参数 Electro-Optical Characteristics (T solder pad =25 °C, I_F =350mA)

项目 Item	符号 Symbol	最小值 Min.	典型值 Typ.	最大值 Max.	单位 Unit
辐射功率 Radiant Power	Φ	Refer to Radiant Power Distribution			Lm
正向电压 Forward Voltage	VF	Red	1.9	2.0	2.3
		Green	2.6	2.9	3.2
		Blue	2.6	2.9	3.2
		Amber	2.1	2.2	2.5
波长 Wavelength	λ	Red	619	620	630
		Green	495	520	530
		Blue	450	455	460
		Amber	590	595	600
热阻 Thermal Resistance	----	----	6.0	----	°C/W
发光角度 Viewing Angle	2 θ 1/2	----	120	----	°

4、产品代码 Product Order Code

XE - GRN - G1 - R3 - AB5
① ② ③ ④ ⑤

① 产品型号 Product Type

② 绿光 GRN: Green

琥珀 AMB: Amber

红光 RED: Red

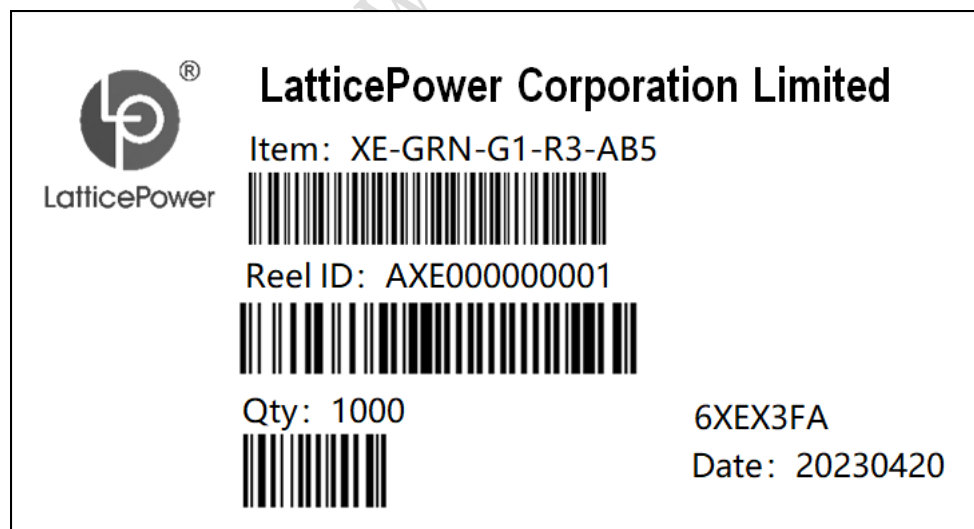
蓝光 BLU: Blue

③ 波长等级 Wavelength Level

④ 亮度等级 Brightness Level

⑤ 电压等级 Voltage Level

出货标签(例) Shipping label (e.g.)



5、分档规则 Bin Regulations

5.1 波长分档 Wavelength Bins (T solder pad =25 °C, I_F =350mA)

Color	Code	Min	Max.	Unit
Green	G1	515	520	nm
	G2	520	525	
	G3	525	530	
	G4	530	535	
	G5	535	540	
	G6	495	500	
	G7	500	505	
	G8	545	550	
	G9	550	555	
Amber	A1	580	585	nm
	A2	585	590	
	A3	590	595	
	A4	595	600	
Red	R1	615	620	nm
	R2	620	625	
	R3	625	630	
	R4	630	635	
Blue	D1	450	455	nm
	D2	455	460	

备注 Notes :

- ◇ 波长测量误差范围±2nm Wavelength measurement tolerance: ±2nm

5.2 亮度分档 Luminous Flux Groups (T solder pad = 25°C, I_F = 350 mA)

Code	Min.	Max.	Unit
N3	56.8	62	lm
N4	62	67.2	
P2	67.2	73.9	
P3	73.9	80.6	
P4	80.6	87.4	
Q2	87.4	93.9	
Q3	93.9	100	
Q4	100	107	
Q5	107	114	
R2	114	122	
R3	122	130	
R4	130	139	
R5	139	148	
S2	148	156	
S3	156	164	
L1	545	620	mw
L2	620	695	
L3	695	770	

备注 Notes :

- ◇ 亮度测试存在±7%的公差
- ◇ It maintains a tolerance of ±7% on luminous flux measurements.

5.3) 亮度分布 Flux Rank Distribution (T solder pad = 25 °C, I_F = 350mA)

Color	WLD	RANK					
Red	619-630	N3	N4	P2	P3	P4	Q2
Amber	590-600	N3	N4	P2	P3	P4	Q2
Green	495-505	Q4	Q5	R2	R3	R4	R5
Green	520-530	R2	R3	R4	R5	S2	S3
Blue	450-460	L1	L2	L3	/	/	/

5.4 电压分档 Voltage Groups

Code	Min.	Max.	Unit	Code	Min.	Max.	Unit
AA5	1.6	1.7	V	AC4	2.4	2.8	V
AA6	1.7	1.8		AC5	2.8	3.2	
AA7	1.8	1.9		AB4	1.8	2	
AA8	1.9	2		AB5	2	2.2	
AA9	2	2.1		AB6	2.2	2.4	
AAA	2.1	2.2		AB7	2.4	2.6	
AAB	2.2	2.3		AB8	2.6	2.8	
AAC	2.3	2.4		ABB	3.2	3.4	
AAD	2.4	2.5		DD1	1.5	1.75	
AAE	2.5	2.6		DD2	1.75	2	
AAF	2.6	2.7		DD3	2	2.25	
AAG	2.7	2.8		DD4	2.25	2.5	
AAH	2.8	2.9		DD5	2.5	2.75	
AAJ	2.9	3		DD6	2.75	3	
AAK	3	3.1		DD7	3	3.25	
AAL	3.1	3.2		DD8	3.25	3.5	
AAM	3.2	3.3		DD9	3.5	3.75	
			DDA	3.75	4		

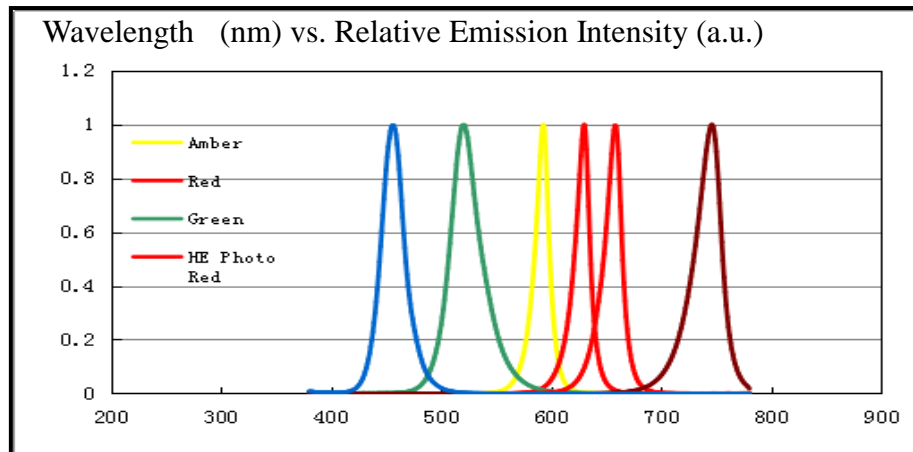
备注 Notes :

- ◇ 电压测试存在±0.1V的公差
- ◇ It maintains a tolerance of ±0.1 on voltage measurements.

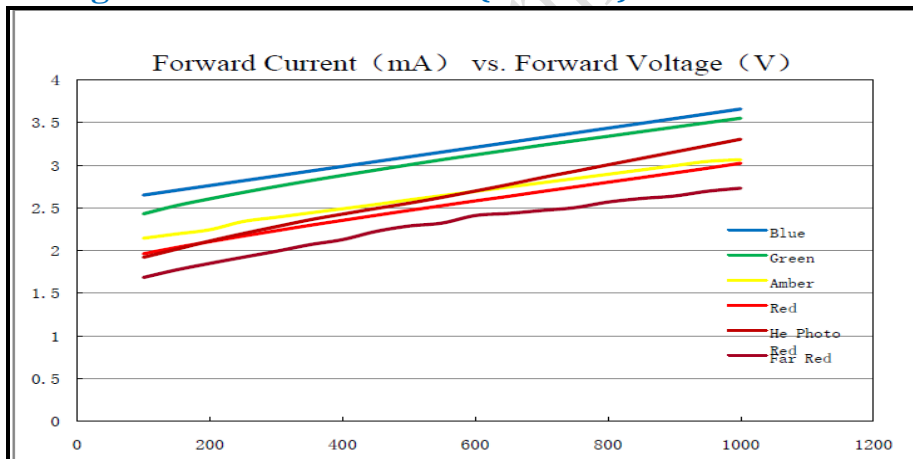
6、光电特性图

The Photoelectric Characteristics Graph (Ta= 25 °C)

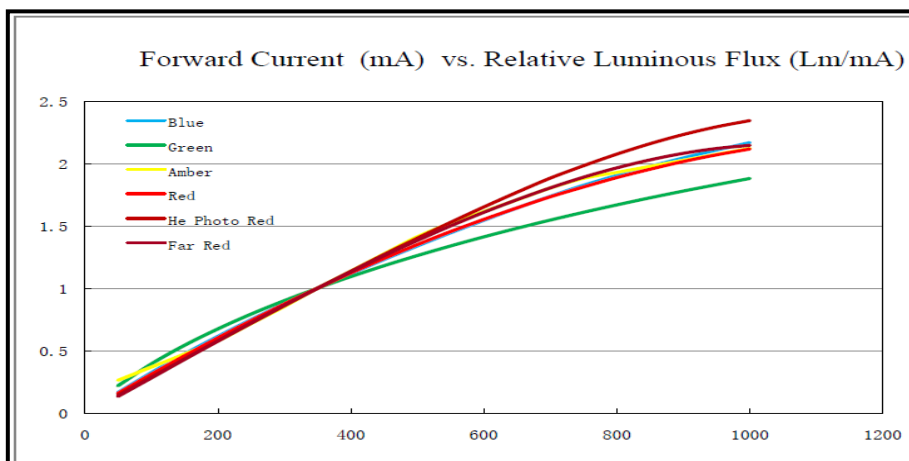
a) 光谱 Color Spectrum (IF=350mA, Ta=25°C)



b) Forward Voltage vs. Forward Current (Ta=25°C)



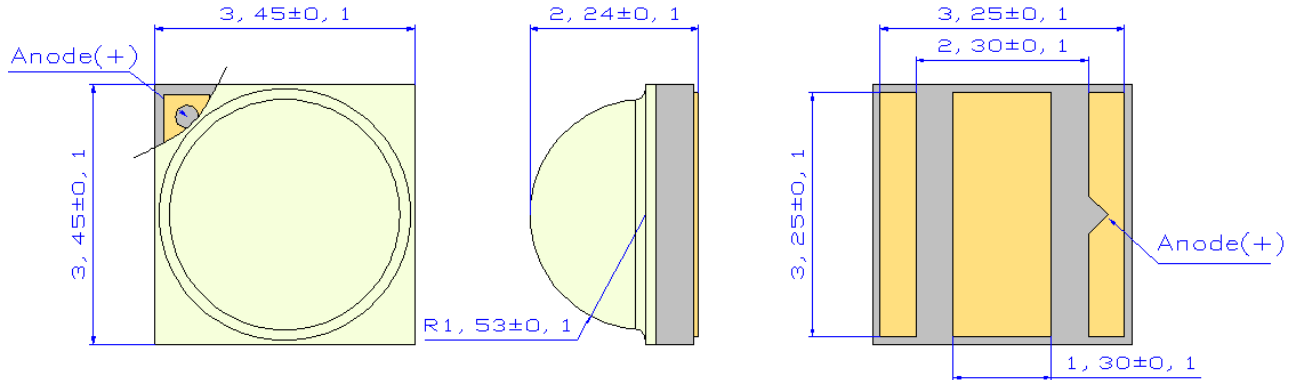
c) Forward Current vs. Relative Luminous Flux, Ta=25°C



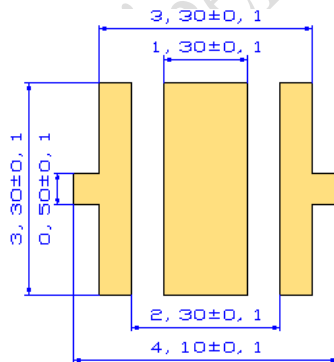
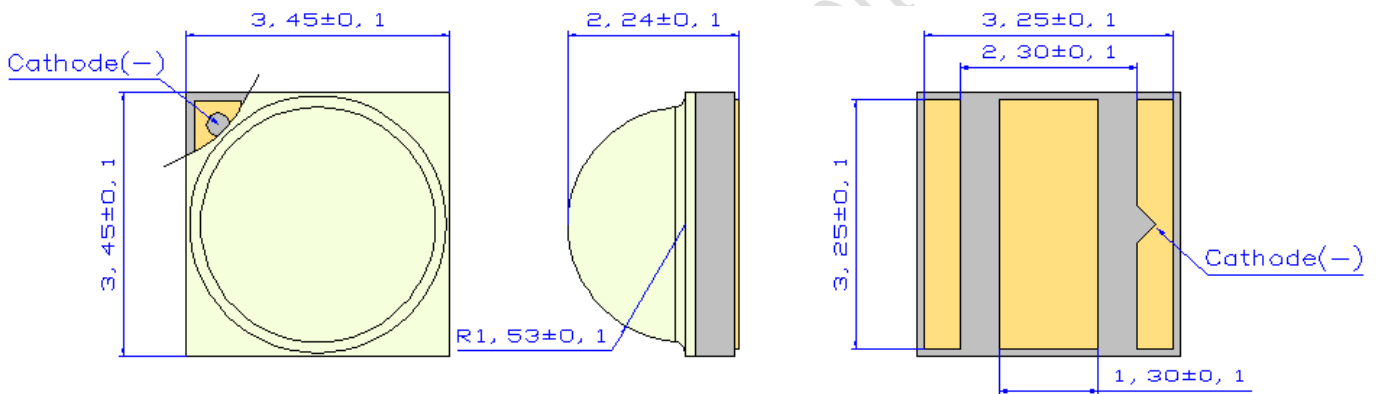
7、产品及钢网尺寸 Product and PCB Pad Dimensions

Product Dimensions:

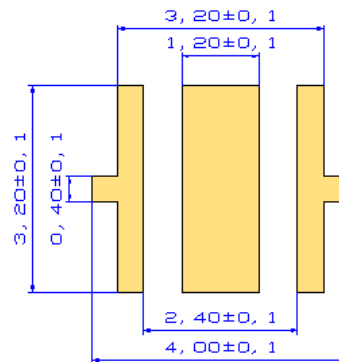
Size for Green、Red、Amber



Only Size for Blue



建议焊盘图

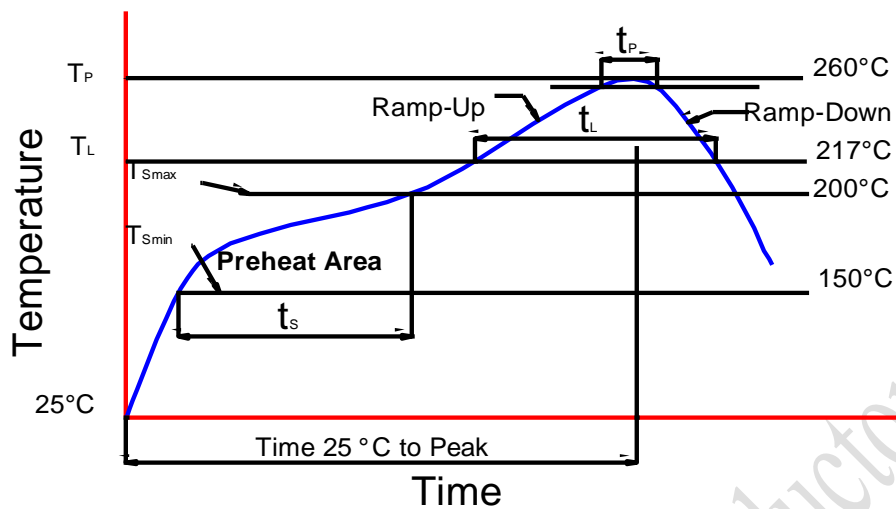


建议钢网图

备注 Notes:

- ◇ 所有尺寸均以 mm 为单位
- ◇ All dimensions are in millimeters
- ◇ 尺寸未按照公差±0.1mm 标记的, 按照图纸标记
- ◇ Size is not marked in accordance with tolerance $\pm 0.1\text{mm}$ and dimension tolerances in accordance with drawings

8、回流焊特性 Reflow Soldering Characteristics

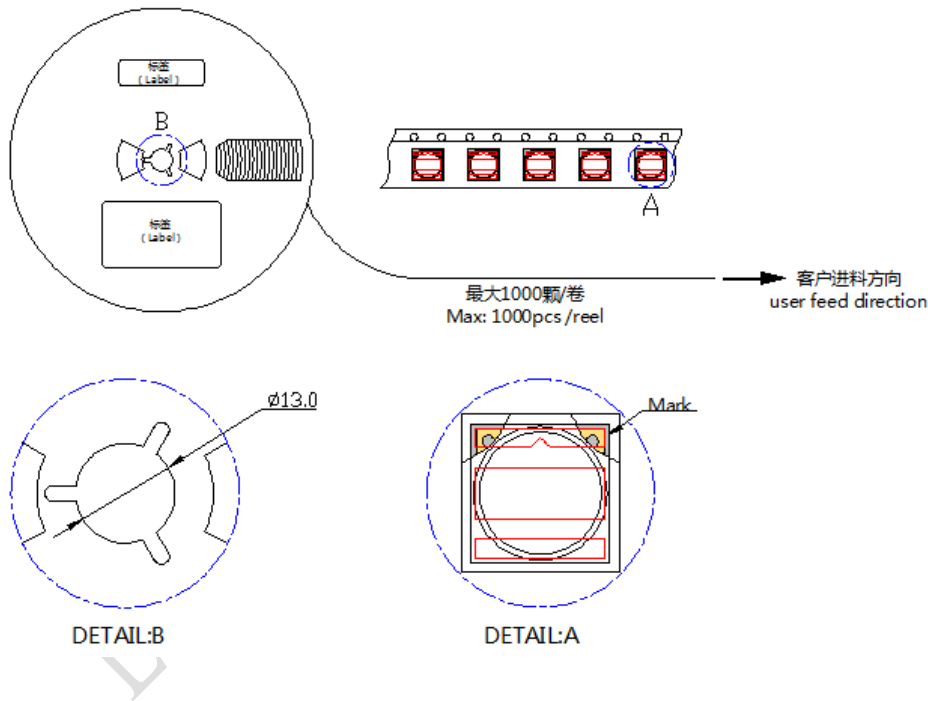
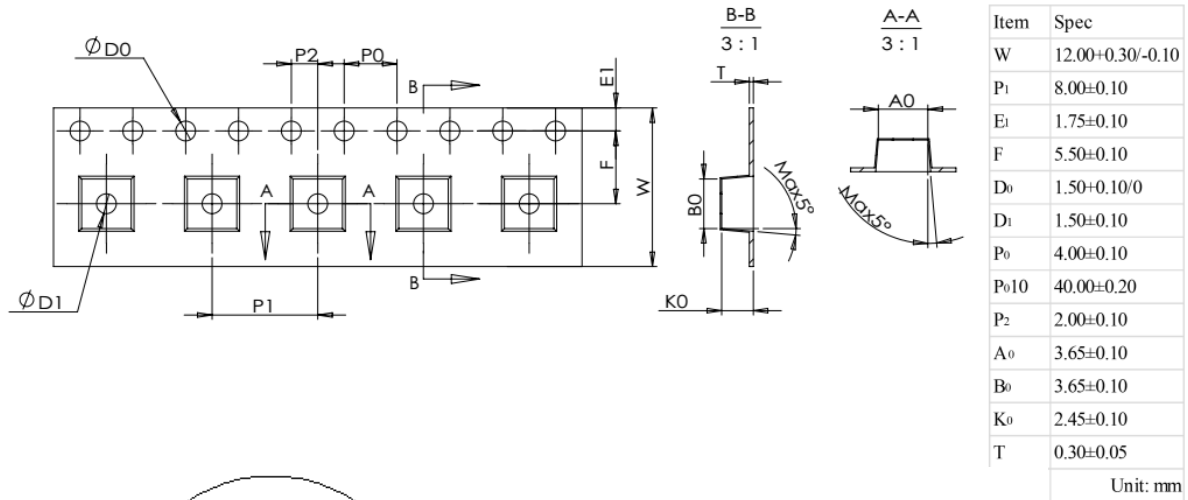


根据 EDEC-J-STD-020D 内容, 参考以下内容。

Compatible with the JEDEC-J-STD-020D, using the parameters listed below.

特制参数 Profile Feature	无铅焊料 Lead-Free Solder
平均上升速率 (T _{Smax} 至 T _p) Average Ramp-Up Rate (T _{Smax} to T _p)	3 °C/sec max.
预热: 温度最小值 (T _{Smin}) Preheat: Temperature Min (T _{Smin})	150
预热: 最高温度 (T _{Smax}) Preheat: Temperature Max (T _{Smax})	200
预热: 时间 (t _{Smin} 到 t _{Smax}) Preheat: Time (t _{Smin} to t _{Smax})	60-180 secs
回流温度 (T _L) Time Maintained Above: Temperature (T _L)	217°C
回流时间 (t _L) Time Maintained Above: Time (t _L)	60-150 secs
峰值/分类温度 (T _p) Peak/Classification Temperature (T _p)	255±5°C
实际峰值温度 (t _p) 在 5°C 以内的时间 Time Within 5°C of Actual Peak Temperature (t _p)	20~40 secs
降低速率 Ramp-Down Rate	5°C/sec max.

9、 卷轴 Reel Dimensions



备注 Notes:

- ◇ 卷轴包装 1000pcs
Reel:1000pcs.
- ◇ 卷轴包装方法符合 IJSC0806 (连续胶带上的电子元件包装)
The tape packing method complies with IJSC0806(Packing of Electronic Components or
- ◇ 当卷轴由于工作中断而重绕时, 载带上压力不应超过 10N, 否则 LED 可能会粘在盖带上
When the tape is rewound due to work interruptions, no more than 10N should embossed carrier tape.
The LEDs may stick to the cover tape.

10、可靠性 Reliability

a) 测试和结果 Tests and Results

测试项目 Test Item	参考标准 Reference Standard	测试条件 Test Conditions	测试周期 Test Duration	失效标准 Failure Criteria#	失效数/测试数 Units Failed/Tested
可焊性 (回流焊) Solderability(Reflo w Soldering)	JEITA ED=4701 303 303A	$T_{sld}=255\pm$ 5°C,5sec,Lead-free Solder(Sn-3.0Ag-0.5Cu)	3times	#2	0/22
高低温循环 Temperature Cycle	JEITA ED=4701 100 105	-40°C(30min)~25°C (5min)~ 85°C(30min)~25°C(5min)	100cycles	#1	0/22
高温/低温储存 High/Low Temperature Storage	JEITA ED=4701 200 201/ JEITA ED=4701 200 202	$T_A=120^\circ\text{C}/T_A=-40^\circ\text{C}$	1000h	#1	0/22
高温老化 High Temperature Operating		$T_A=85^\circ\text{C}, I_F=1000\text{mA}$	1000h	#1	0/22
高温高湿老化 Temperature Humidity Operating		85°C, RH=85%, $I_F=1000\text{mA}$	1000h	#1	0/22

b) 失效判定 Failure Criteria

判定 Criteria #	项目 Items	条件 Conditions	失效判定 Failure Criteria
#1	正向电压 Forward Voltage (VF)	I_F	> 初始值×1.1 倍 > Initial value×1.1
	光通量 Luminous Flux (Φ_v)	I_F	< 初始值×0.7 倍 < Initial value×0.7
	反向电流 Reverse Current (IR)	$V_R=5V$	> 1uA > 1uA
#2	回流焊 Solderability	-	焊接面积 < 80% Less than 80% solder coverage

11、注意事项 Cautions

a) 操作注意 Handling Precautions



1) LED 上的压力会影响 led 的可靠性。应采取预防措施，以避免对 led 的强压力。在加热过程中不要对 led 施加压力。

Pressure on the LEDs will influence to the reliability of the LEDs. Precautions should be taken to avoid strong pressure on the LEDs. Do not put stress on the LEDs during heating.

2) LED 焊接完毕后不应重新焊接。如果重新焊接不可避免，那么在修复之前和修复之后都要仔细检查 LED 的特性。

Re-soldering should not be done after the LEDs have been soldered. If re-soldering is unavoidable, LED's characteristics should be carefully checked before and after such repair.

3) 不要将组装好的 pcb 堆在一起。由于 LED 的材料是软的，与 LED 组装的两个 PCB 之间的磨损可能会导致 LED 破坏性的故障。

Do not stack assembled PCBs together. Since materials of LEDs is soft, abrasion between two PCB assembled with LED might cause catastrophic failure of the LEDs.

4) 与标准的封装材料相比，硅胶通常更柔软，表面更容易吸引灰尘，如果不能保证最低程度的灰尘和灰尘颗粒，在部件焊接后，必须在表面使用合适的清洗液。

Compared to standard encapsulants, silicone is generally softer, and the surface is more likely to attract dust, In cases where a minimal level of dirt and dust particles cannot be guaranteed, a suitable cleaning solution must be applied to the surface after the soldering of components.

5) 灯具材料中释放的挥发性有机化合物(VOCs)可以穿透 LED 的硅树脂封装，暴露在热量和光子能量下会变色。结果可能是灯具的光输出有重大损失。

VOCs (Volatile organic compounds) emitted from materials used in the construction of fixtures can penetrate silicone encapsulants of LED and discolor when exposed to heat and photonic energy. The result can be a significant loss of light output from the fixture.

6) 安装 led 时，不要使用释放有机蒸汽的粘合剂。

Attaching LEDs, do not use adhesives that outgas organic vapor..

7) LED 对 ESD (Electro-Static Discharge, ESD)敏感。以下是晶能半导体公司为减少这些影响而提出的一些建议。

LED is sensitive to Electro-Static Discharge (ESD). Below is a list of suggestions that LatticePower Semiconductor purposes to minimize these effects.

a. ESD(静电放电)

静电放电(ESD)定义为两个物体接触时释放出的静电。虽然大多数 ESD 事件被认为是无害的,但在许多工业环境中,在生产和存储期间,它可能是一个代价比较大的问题。ESD 对 LED 的损害可能导致产品显示出不同寻常的特性,例如:一反向泄漏电流的增加降低了开启电压

ESD (Electro Static Discharge)

Electrostatic discharge (ESD) is the defined as the release of static electricity when two objects come into contact. While most ESD events are considered harmless, it can be an expensive problem in many industrial environments during production and storage. The damage from ESD to an LED may cause the product to demonstrate unusual characteristics such as: - Increase in reverse leakage current lowered turn-on voltage.

-LED 在低电流时发射异常 Abnormal emissions from the LED at low current

以下建议可以帮助减少 ESD 发生的可能性。

The following recommendations are suggested to help minimize the potential for an ESD event.

一个或多个工作区域建议:

One or more work area suggestions:

-电离风扇设置 Ionizing fan setup

-导电材料制成的防静电台面/搁板垫 ESD table/shelf mat made of conductive materials

-防静电安全容器 ESD safe storage containers

一个或多个人员建议选择::

One or more personnel suggestion options:

-防静电腕带 Antistatic wrist-strap

-防静电材料鞋 Antistatic material shoes

-防静电衣服 Antistatic clothes

环境控制:

Environmental controls:

-湿度控制(干燥环境下防静电效果较差) Humidity control (ESD gets worse in a dry environment)

b) 清洗 Cleaning

1) 建议使用异丙醇进行清洗。如果使用其他溶剂，必须保证这些溶剂不溶解包装或树脂。不建议使用超声波清洗。超声波清洗可能会对 LED 造成损坏。

We suggests using isopropyl alcohol for cleaning. In case other solvents are used, it must be assured that these solvents do not dissolve the package or resin. Ultrasonic cleaning is not recommended. Ultrasonic cleaning may cause damage to the LED.

c) 存储 Storage

➤ 不要将 LED 放在潮湿的地方，存放温度在 5°C~30°C 之间，相对湿度在 30% 以下。
Do not place the LED in damp places, Storage temperature between 5 °C and 30 °C, Relative humidity under 30%.

➤ 打开包装后使用注意事项 Use Precaution after Opening the Packaging

a) 开包后推荐条件 Recommend conditions after opening the package

- 密封/温度：5~30°C 湿度：小于 60%

- Sealing / Temperature : 5 ~ 30°C Humidity : less than RH60%

b) 如果包装已打开超过 168H(MSL 3) 或湿度指示卡颜色发生变化，应在 65±5°C 条件下干燥 10-24H

If the package has been opened more than 168 hours (MSL 3) or the color of the Humidity indicator card changes, components should be dried for 10-24hr at 65±5°C